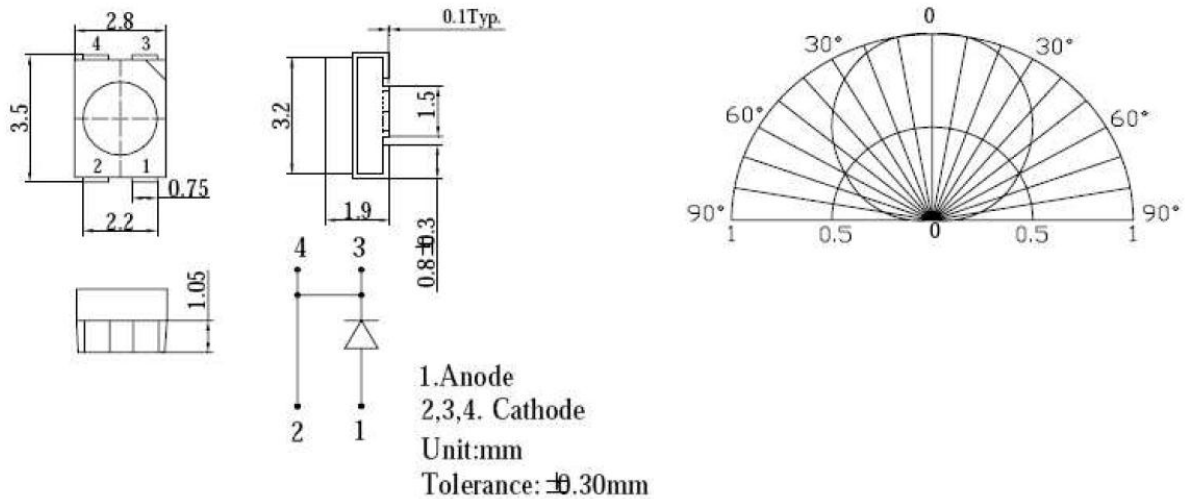


SE-3528-PWW-OS



- Read lights (car, bus, aircraft)
- Portable (flashlight, bicycle)
- Bollards / Security / Garden
- Traffic signaling / Beacons
- In door / Out door Commercial lights
- Automotive Ext
- Highest Luminous PLCC4 Power Top SMD LEDs
- Super energy efficiency
- Very long operating life (up to 100K hours)
- Superior ESD protection
- No UV

■ Absolute Maximum Rating (Ta=25°C)

Item	Symbol	Value	Unit
DC Forward Current	I_F	120	mA
Pulse Forward Current*	I_{FP}	200	mA
Reverse Voltage	V_R	5	V
Power Dissipation	P_D	480	mW
Operating Temperature	T_{opr}	-30 ~ +85	°C
Storage Temperature	T_{stg}	-40 ~ +100	°C
Lead Soldering Temperature	T_{sol}	260°C/5sec	-

*Pulse width Max.10ms Duty ratio max 1/10

■ Electrical -Optical Characteristics (Ta=25°C)

Item	Symbol	Condition	Min.	Typ.	Max.	Unit
DC Forward Voltage	V_F	$I_F=70mA$	3.0	3.3	4.0	V
DC Reverse Current	I_R	$V_R=5V$	-	-	10	μA
Luminous Flux	Φ_v	$I_F=70mA$	-	15	-	lm
Chromaticity Coordinates*	x	$I_F=70mA$	-	0.27	-	
	y	$I_F=70mA$	-	0.28	-	
50% Power Angle	$2\theta_{1/2}$	$I_F=70mA$	-	120	-	deg

*1 Tolerance of chromaticity coordinates is $\pm 10\%$

*2 Tolerance of luminous intensity is $\pm 15\%$