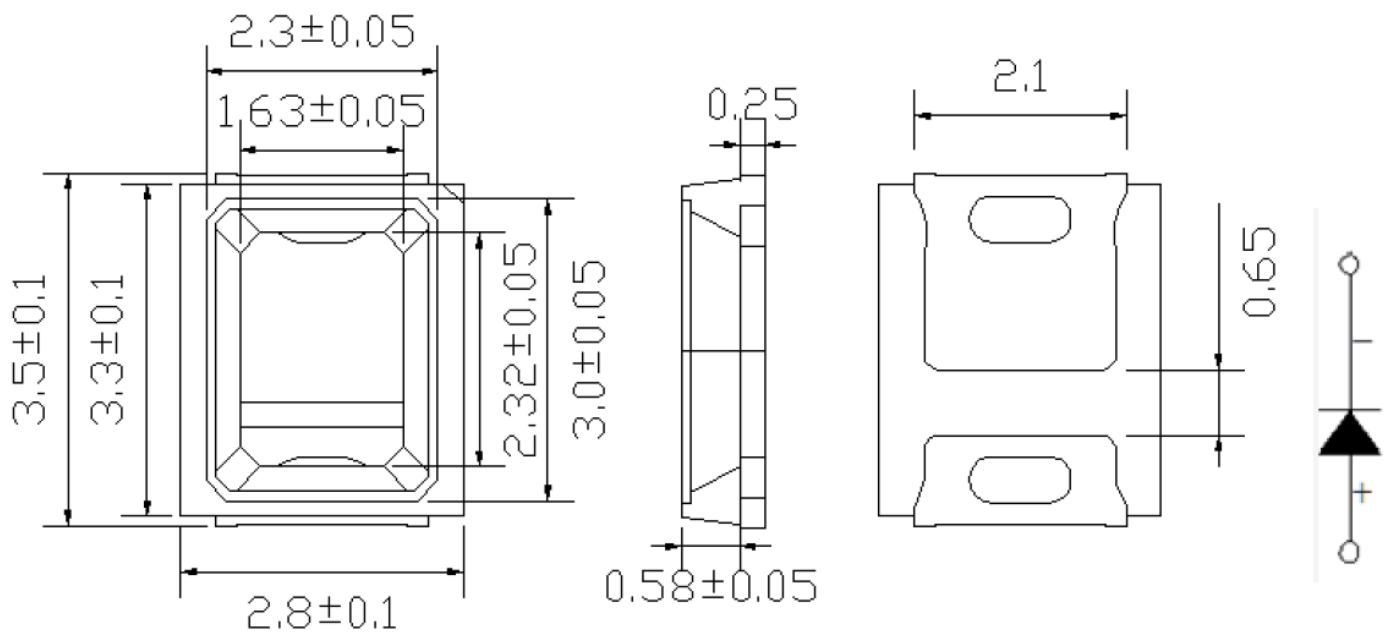


✧ **Features:**

- 2.8mm×3.5mm SMT LED• 0.83mm thickness
- PLCC-2 package
- White package
- Suitable for all SMT assembly and solder process
- Available on tape and reel

✧ **Package Dimensions**



NOTES • •

1. All dimensions are in millimeter;
2. Tolerance is ±0.2mm unless other specified;
3. Specifications are subject to change without notice.

Part No.	Emitted Color	Len's Color	Chip Material
SE-SMD2835-IR5 0,5W	Infrared	Water clear	AlGaAs

❖ Absolute Maximum Ratings(Ta=25•)

Item	Symbol	Maximum	Unit
Power dissipation	Pd	500	mW
Peak Forward Current (1/10 Duty Cycle 0.1ms Pulse Width)	IFP	1	A
Forward Current	IF	250	mA
Reverse Voltage	VR	5	V
Operating Temperature Range	Topr / Tstg	-40°C to +85°C	
Storage Temperature Range	Topr / Tstg	-40°C to +100°C	

❖ Electrical/Optical Characteristics(Ta=25•)

Item	Symbol	Min.	Typ.	Max.	Unit	Condition
Forward Voltage	VF	--	1.5	2.0	V	IF=150mA
Reverse Current	IR	--	--	10	• A	VR=5V
Radiant Intensity	Ee	--	15	--	mW/sr	IF=150mA
Peak Wavelength	λp	--	735	--	nm	IF=150mA
Viewing Angle	2• ½	--	120	--	deg	IF=150mA

✧ Typical Electro-Optical Characteristics Curves

FIG. 1 Forward Current Vs. Forward Voltage

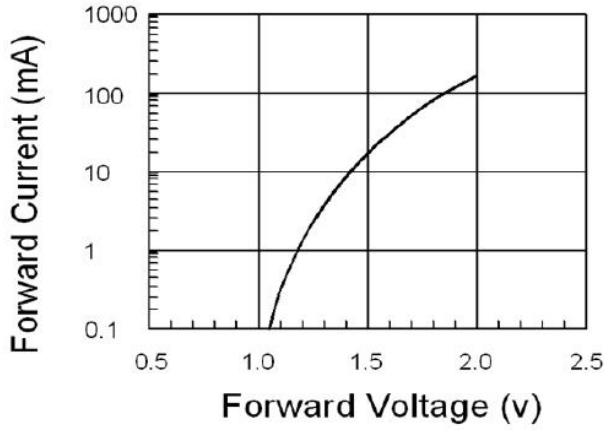


FIG. 2 Relative Radiant Power vs. Wavelength

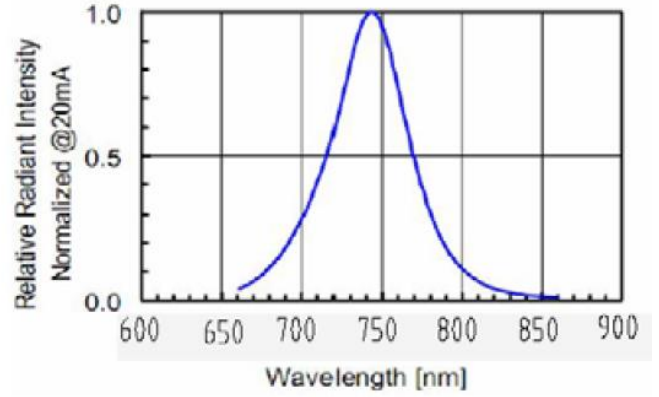


FIG. 3 Relative Luminosity vs. Temperature

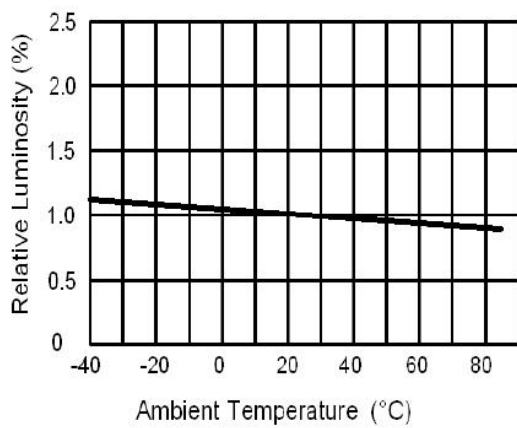
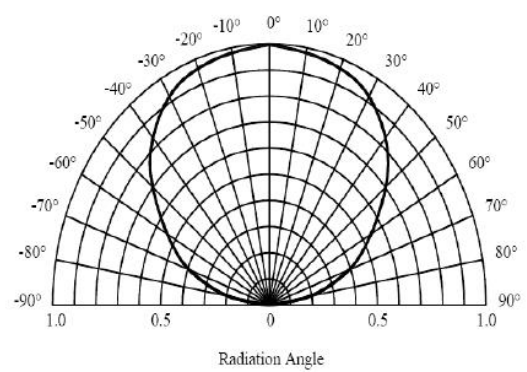


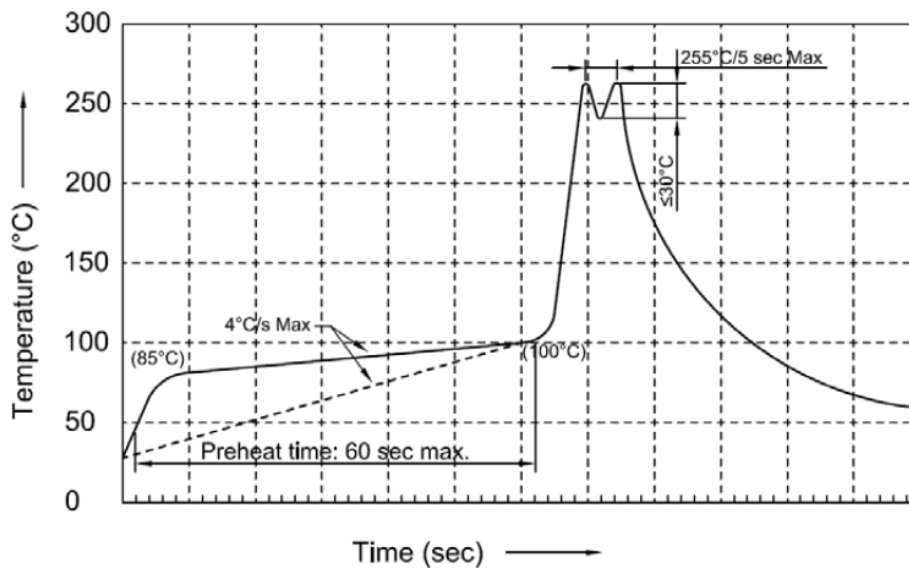
FIG. 4 Relative Radiant Intensity vs. Angular Displacement



❖ Reliability Test Items And Conditions

NO.	Item	Test Condition	Test Hr/cycle/time	Sample Q'ty	Ac/Re
1	Reflow	TEMP:260±5° ; Min.5Sec	6 min	22pcs	0/1
2	High Temperature Storage	TEMP: 85° •	1000hrs	22pcs	0/1
3	Low Temperature Storage	TEMP:-40° •	1000hrs	22pcs	0/1
4	DC Operating Life	IF=20MA	1000hrs	22pcs	0/1
5	High Humidity	85%R.H.	1000hrs	22pcs	0/1

❖ SMT Reflow Soldering Instructions



Notes:

1. We recommend the reflow temperature 245±5° •The maximum soldering temperature should be limited to 260° for 10s (max).
2. Don't cause stress to the epoxy resin while it is exposed to high temperature.
3. Number of reflow process shall be 2 times or less.