

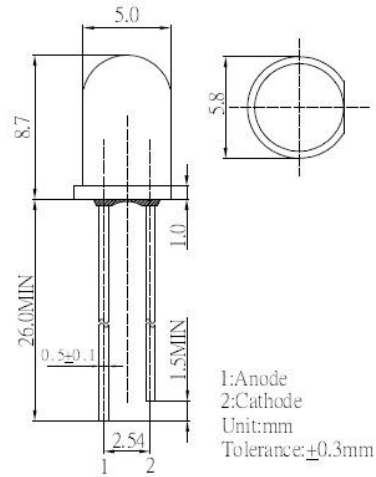
■ Features

- High Luminous LEDs
- 5mm Round Standard Directivity
- Superior Weather-resistance
- Flashing Type
- Water Clear Type

■ Applications

- Toys
- Games
- Audio
- Other Lighting

■ Outline Dimension

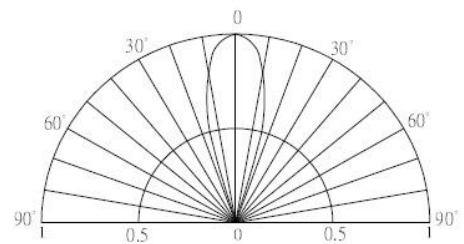


■ Absolute Maximum Rating

(Ta=25°C)

Item	Symbol	Value	Unit
Power Supply	Voltage	5	V
Operating Temperature	Topr	-30 ~ +85	°C
Storage Temperature	Tstg	-40~ +100	°C
Lead Soldering Temperature	Tsol	260°C/5sec	-

■ Directivity



■ Electrical -Optical Characteristics

(Ta=25°C)

Item	Symbol	Condition	Min.	Typ.	Max.	Unit
DC Forward Voltage	V _{fd}	I _f =20mA	3.8	4.5	5.0	V
Oscillator Frequency*	Fled	I _f =20mA	-	12	-	S
Duty Cycle	Duty	I _f =20mA	-	-	-	-
Domi. Wavelength*	λ _D (Red)	I _f =20mA	620	625	630	nm
	λ _D (Blue)	I _f =20mA	465	470	475	nm
	λ _D (Green)	I _f =20mA	520	525	530	nm
Luminous Intensity*	I _v (Red)	I _f =20mA	7000	8400	-	mcd
	I _v (Blue)	I _f =20mA	3000	4000	-	mcd
	I _v (Green)	I _f =20mA	12000	14400	-	mcd
50% Power Angle	2θ _{1/2}	I _f =20mA	-	30	-	deg

*1 Tolerance of dominant wavelength is ±1nm

*2 Tolerance of luminous intensity is ±15%

*3 Tolerance of Frequency is ±20%