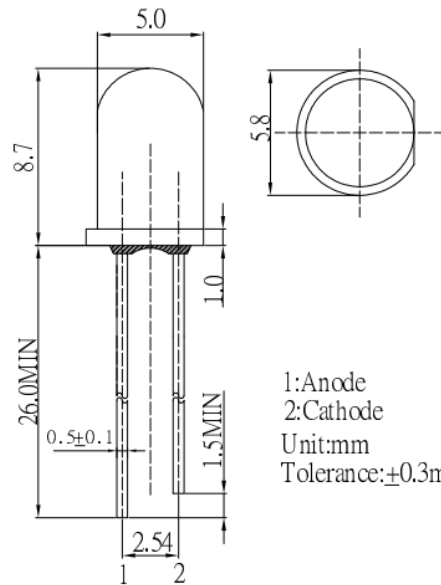


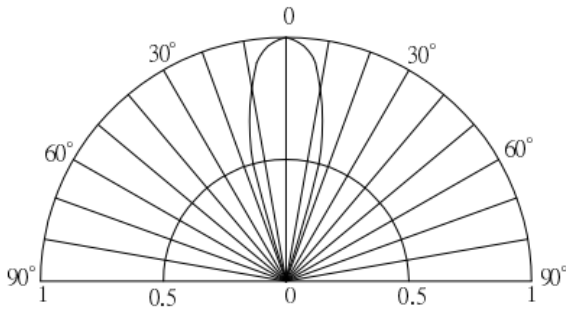
Features

- High Luminous LEDs
- 5mm Round Standard Directivity
- Superior Weather-resistance
- UV Resistant Epoxy
- Water Clear Type

Outline Dimensions



Directivity



Absolute Maximum Rating (Ta=25°C)

Item	Symbol	Value	Unit
DC Forward Current	IF	50	mA
Pulse Forward Current*	IFP	120	mA
Reverse Voltage	VR	5	V
Power Dissipation	PD	130	mW
Operating Temperature	Topr	-40 ~ +85	°C
Storage Temperature	Tstg	-40 ~ +100	°C
Lead Soldering Temperature	Tsol	260°C/5sec	-

* Pulse width Max. 10ms, Duty ratio max 1/10

Electrical – Optical Characteristics (Ta=25°C)

Item	Symbol	Condition	Min.	Typ.	Max.	Unit
DC Forward Current	VF	IF=20mA	1.8	2.1	2.6	V
DC Reverse Current	IR	VR=5V	-	-	10	µA
Domi. Wavelength*	λD	IF=20mA	620	625	630	nm
Luminous Intensity*	IV	IF=20mA	8400	10000	-	mcd
50% Power Angle	2θ1/2	IF=20mA	-	30	-	deg

*1. Tolerance of measurements of dominant wavelength is ± 1nm

*2. Tolerance of measurements of luminous intensity is ± 15%

*3. Tolerance of measurements of forward voltage is ± 0.1V

