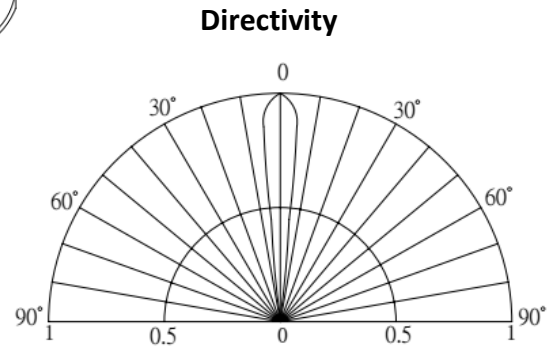
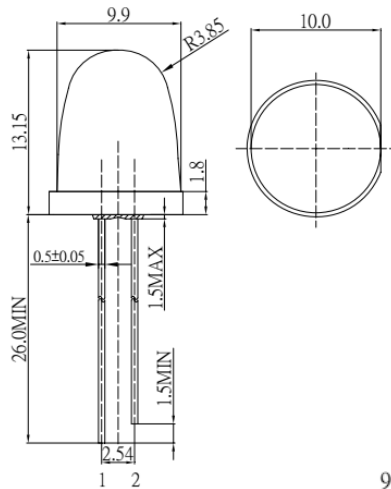


Features

- High Luminous LEDs
- 10mm Standard Directivity
- Long Lifetime Operation (Up to 100.000 hours)
- Superior Weather-resistance
- UV Resistant Epoxy
- Water Clear Type

Applications

- Electronic Signs and Signals
- Small Area Illuminations
- Back Lighting
- Other Lighting



Note: 1. Anode / 2. Cathode (Unit: mm, Tolerance ± 0.30mm)

Absolute Maximum Rating (Ta=25°C)

Item	Symbol	Value	Unit
DC Forward Current	IF	30	mA
Pulse Forward Current*	IFP	100	mA
Reverse Voltage	VR	5	V
Power Dissipation	PD	108	mW
Operating Temperature	Topr	-30 ~ +85	°C
Storage Temperature	Tstg	-40 ~ +100	°C
Lead Soldering Temperature	Tsol	260°C/5sec	-

*Pulse width Max 10ms, Duty ratio max 1/10

Electrical –Optical Characteristics (Ta=25°C)

Item	Symbol	Condition	Min.	Typ.	Max.	Unit
DC Forward Voltage	VF	IF=20mA	2.9	3.1	3.6	V
DC Reverse Current	IR	VR=5V	-	-	10	µA
Luminous Intensity*	Iv	IF=20mA	80000	100000	-	mcd
Chromaticity	x	IF=20mA	-	0.27	-	
Coordinates*	y	IF=20mA	-	0.28	-	
50% Power Angle	2θ1/2	IF=20mA	-	8	-	deg

*1 Tolerance of chromaticity coordinates is ± 10%

*2 Tolerance of luminous intensity is ± 15%