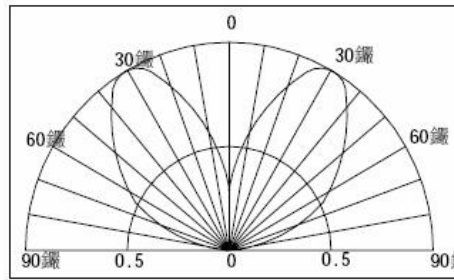


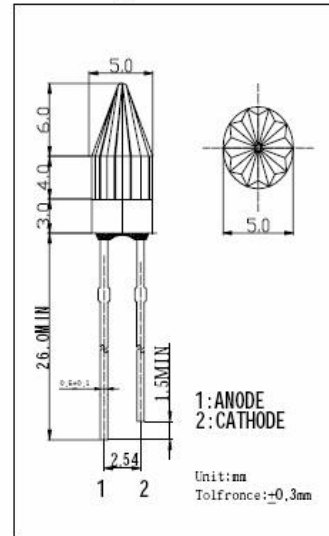
■View



■Directive Characteristics (Ta=25°C)



■Package Outline (unit:mm)



■Absolute Maximum Rating (Ta=25°C)

Item	Symbol	Value		Unit
		PG/UB/PW	HR/OR/YL	
Pulse Forward Current*	I_{FP}	100*1	150*1	mA
Power Dissipation	P_D	240	240	mW
Operating Temperature	T_{opr}	-30~+80	-30~+80	°C
Storage Temperature	T_{stg}	-30~+100	-30~+100	°C

*1 Pulse width Max.10ms Duty ratio max 1/10

■Electrical And Optical Characteristics (Ta=25°C)

Part Number*2	Emitting Color	Lens Type	Forward Voltage VF (V)		Chromaticity Coordinates*4				Luminous Intensity IV(mcd)*3			
			AC	DC	X		Y					
			Working Current: IF=20mA									
			Typ.	Max.	Min.	Max.	Min.	Max.	Typ.	Max.		
SE-RT-5WC	White	Water Clear	6	8	0.26	0.29	0.25	0.28	2180	3000		
SE-RT-5PC	Pink	Water Clear	6	8	0.34	0.44	0.15	0.25	1120	1560		

■Electrical And Optical Characteristics (Ta=25°C)

Part Number*2	Emitting Color	Lens Type	Forward Voltage VF (V)		Dominant Wavelength WD(nm)*5		Luminous Intensity IV(mcd)*3			
			AC	DC						
			Working Current: IF=20mA							
			Typ.	Max.	Typ.	Max.	Typ.	Max.		
SE-RT-5UBC	Blue	Water Clear	6	8	470	475	1560	2180		
SE-RT-5PGC	Pure Green	Water Clear	6	8	525	530	2180	3000		
SE-RT-5YC	Yellow	Water Clear	6	8	590	595	1560	2180		
SE-RT-5OC	Orange	Water Clear	6	8	605	610	1560	2180		
SE-RT-5RC	Red	Water Clear	6	8	625	630	1560	2180		

*2 See table for Luminous Intensity Ranks

*3 Axial Direction (Luminous Intensity)

*4 Please refer to CIE 1931 chromaticity diagram.

*5 Devices are sorted by 5nm wavelength ranges

■Package

- Bulk.....100pieces/bag(Code No.1)
- Bulk.....200pieces/bag(Code No.2)
- Bulk.....500pieces/bag(Code No.5)