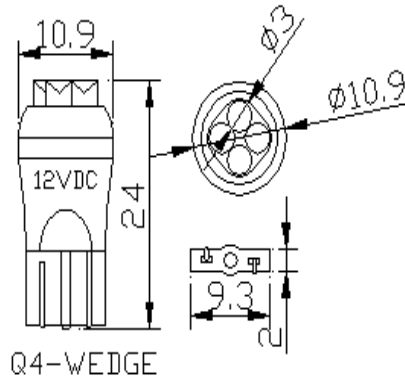


# BS Elektronik Service GmbH

(A) Electronics And Optical Characteristics: Ta=25°C

PART NO	Emitting Color	Forward Voltage Unit: V	Totality Luminous Intensity Unit: LM	Single LED Intensity Unit: mcd	Dominant Wavelength Unit: nm	Viewing Angle Unit: deg	Color Temperature Unit: K°
SE-4FR-120/10,9	Super Red	13.2	2.6	128	630	ALL	<=1500
SE-4FY-120/10,9	Super Yellow	13.2	3.0	150	595	ALL	<=1500
SE-4FG-120/10,9	Ultra Green	13.2	6.5	450	525	ALL	7400
SE-4FB-120/10,9	Super Blue	13.2	1.5	102	470	ALL	>=25000
SE-4FW-120/10,9	Super White	13.2	4.0	325	X:0.29 Y:0.28	ALL	9500
SE-4FUW-120/10,9	Ultra White	13.2	8.5	600	X:0.29 Y:0.29	ALL	8800
<b>Test Condition</b>	<b>Power: 0.46W</b>	<b>Current: 35mA</b>		<b>IF=20mA</b>	<b>IF=20mA</b>	<b>IF=20mA</b>	
<b>IR max: 0.01mA; VR=5V</b>							

Figure:



**(B) Absolute Maximum Ratings AT Ta=25°C**

PARAMETER	MAX	UNIT
Continuous Forward Current	18~20	mA
Peak Forward Current (1/10 Duty Cycle 0.1ms Pulse Width)	100	mA
Reverse Voltage	5	V
Operating Temperature Range	-30°C to +85°C	
Storage Temperature Range	-40°C to +100°C	
Lead Solder Temperature 1.6mm Below Package 260°C For 5 seconds		