

SE-10S-3070WC

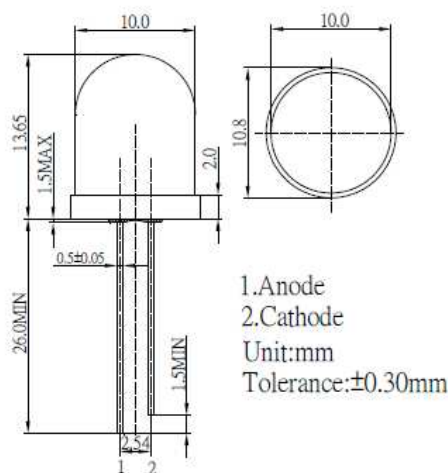
■ Features

- High Luminous LEDs
- 10mm Standard Directivity
- Superior Weather-resistance
- UV Resistant Epoxy
- Water Clear Type
- Chip Materials : InGaN

■ Applications

- Traffic Signal Lamp
- Automotive Lighting
- Commercial Outdoor Signs
- Other Lighting

■ Outline Dimension



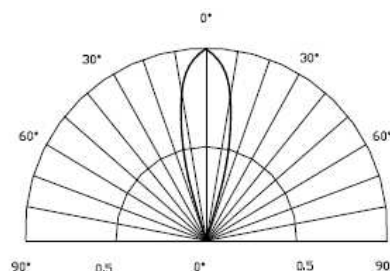
■ Absolute Maximum Rating

(Ta=25°C)

Item	Symbol	Value	Unit
DC Forward Current	I_F	30	mA
Pulse Forward Current*	I_{FP}	100	mA
Reverse Voltage	V_R	5	V
Power Dissipation	P_D	108	mW
Operating Temperature	T_{opr}	-30 ~ +85	°C
Storage Temperature	T_{stg}	-40 ~ +100	°C
Lead Soldering Temperature	T_{sol}	260°C/5sec	-

*Pulse width Max 10ms ,Duty ratio max 1/10

■ Directivity



■ Electrical -Optical Characteristics

(Ta=25°C)

Item	Symbol	Condition	Min.	Typ.	Max.	Unit
DC Forward Voltage	V_F	$I_F=20mA$	2.9	3.1	3.6	V
DC Reverse Current	I_R	$V_R=5V$	-	-	10	μA
Luminous Intensity	I_v	$I_F=20mA$	5800	7000	8400	mcd
Chromaticity Coordinate*	x	$I_F=20mA$	0.23	0.27	0.31	
	y	$I_F=20mA$	0.24	0.28	0.32	
50% Power Angle	$2\theta \pm 1/2$	$I_F=20mA$	-	30	-	deg

*1 Tolerance of chromaticity coordinate is ±10%

*2 Tolerance of luminous intensity is +15%

