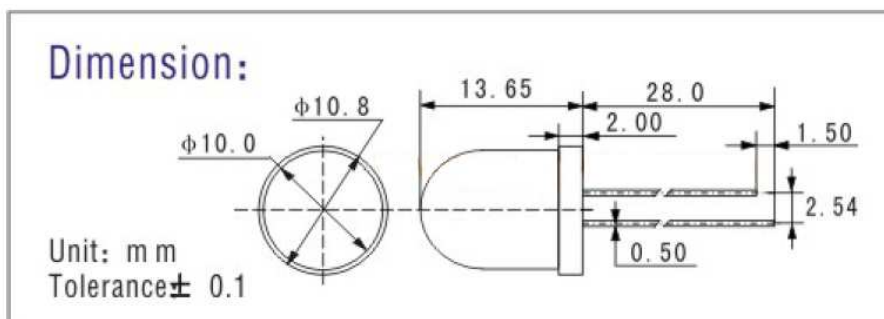


BS Elektronik Service GmbH

SE-1040WBH



Notes:

- 1000ucd = 1 mcd, 1000mcd = 1cd
- All dimensions are in millimeter
- Clean only in isopropanol, ethanol, Freon TF (or equivalent)
- If forming is required, it must be done before soldering. Form pin leads by securing under 5mm from body and bedding with radio pliers or the equivalent to avoid pressure on resin. When the LED is mounted into a P.C. board, pitch spacing should be aligned to prevent any stress to the resin. Any unsuitable stress applied to resin may break bonding wire in LED, which will cause failure.
- Protruded resin under flange is 1.5mm Max.
- Specifications are subject to change without notice.

Absolute Maximum Rating

| Parameter | Maximum Rating | Unit |
|---|---------------------|------|
| DC forward current | 30 | mA |
| Peak forward current Pulse width Max. 10ms duty ratio Max 1/10 | 100 | mA |
| Reverse Voltage | 5 | V |
| Power dissipation | 100 | mW |
| Operating Temperature Range | - 40 °C to +85°C | |
| Storage Temperature Range | -40°C to +100°C | |
| Lead Soldering Temperature [4mm From Body] | 260°C for 5 seconds | |

Electro-Optical Characteristics (Ta=25°C)

| Parameter | Radiant | Test Condition | Symbol | Min. | Typ | Max. | Unit |
|--------------------|---------|--------------------|-----------------|------|-----|------|------|
| Forward Voltage | | If=20mA | V _{DD} | 2.8 | 3.6 | 4.0 | V |
| Color Temperature | | If=20mA | C _T | | | 7000 | K |
| Luminous Intensity | | If=20mA | I _v | 40 | 60 | | cd |
| Reverse Current | | V _r =5V | I _r | | | 100 | μA |
| Viewing Angle | | If=20mA | 2 θ 1/2 | | 20 | | deg |

