

## Power LED's 30W im kleinsten Format

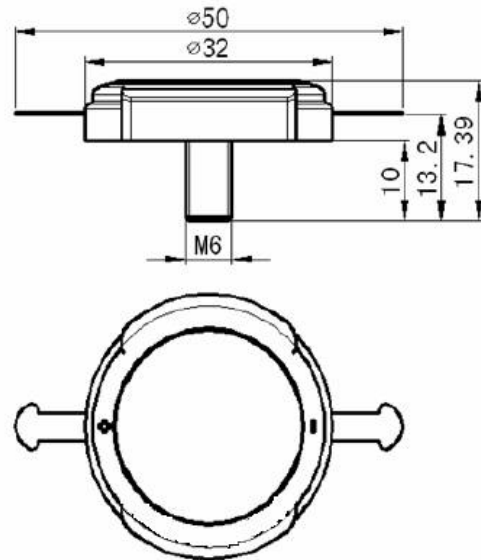
### Key Specification:

- Multi-chip packed point light source
- High light output above 800 lumen
- No UV an IR
- White color available
- Easy installation and low heat resistance with screw frame

**Product Picture**



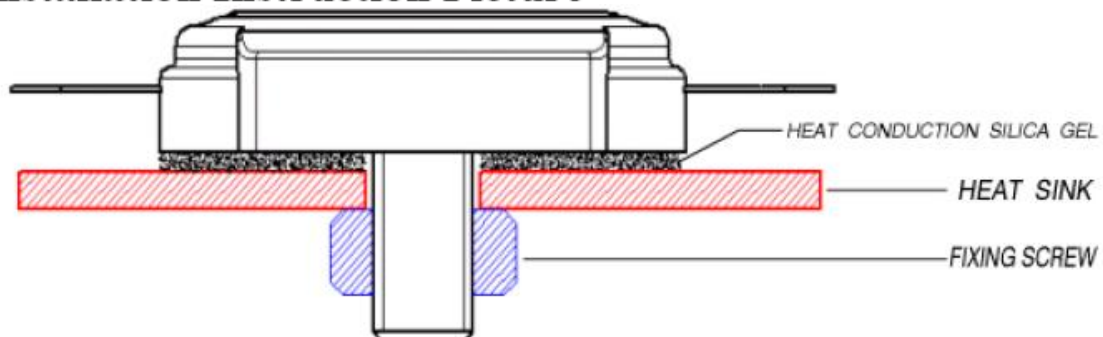
**Dimension/MM**



### **Technical Specification**

Emitter Color	Current mA	Luminous Flux<lm>			Color Temperatur Typ	VF	
		Min	Typ	Max		min	max
Neutral White	1400	900	1000	1200	6000	21	23

### **Installation Instruction Picture**



Remarks: Heat Sink is placed under the MCPCB with single heat dissipation area no less than 1,000 square cm.

Weitere Informationen unter: [info@bs-elektronik-service.de](mailto:info@bs-elektronik-service.de)