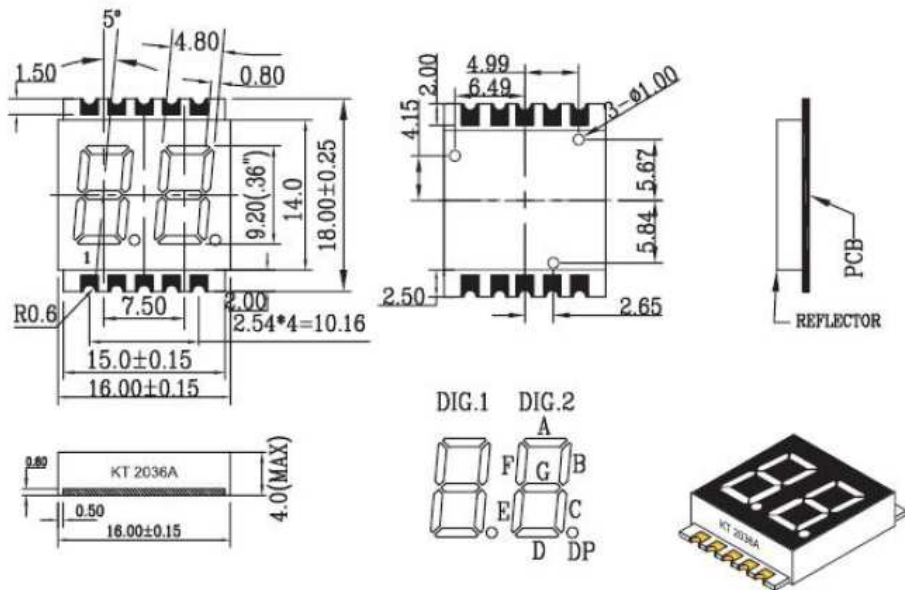
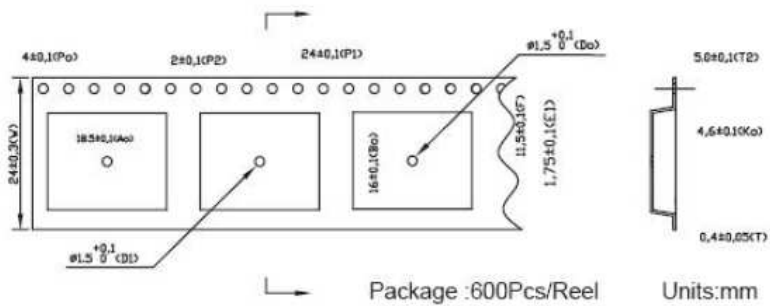


KT 2036A

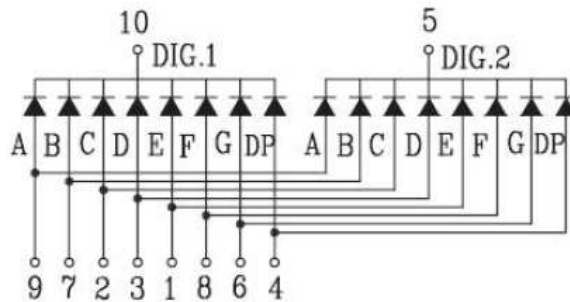
DUAL Digit Display



NORMAL TOLERANCE: ±0.10mm ANGLE: ±1°



CODE E



CODE B

