

## SE-3-70WDOS

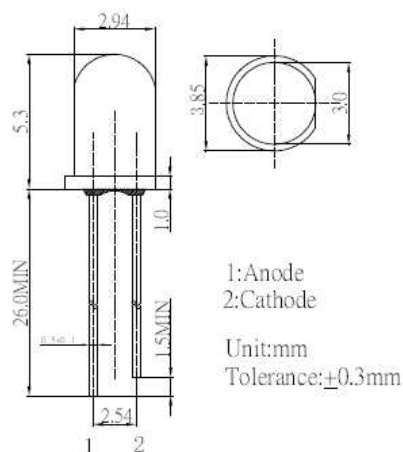
### ■ Features

- High Luminous LEDs
- 3mm Round Standard Directivity
- Low Decay & Long Lifetime Operation
- Superior Weather-resistance
- UV Resistant Epoxy
- White Diffused Type

### ■ Applications

- Electronic Signs And Signals
- Small Area Illuminations
- Back Lighting
- Other Lighting

### ■ Outline Dimension



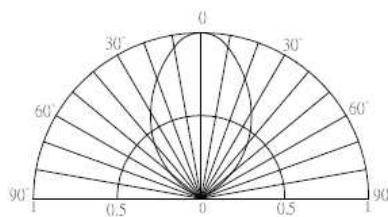
### ■ Absolute Maximum Rating

(Ta=25°C)

| Item                       | Symbol    | Value      | Unit |
|----------------------------|-----------|------------|------|
| DC Forward Current         | $I_F$     | 30         | mA   |
| Pulse Forward Current*     | $I_{FP}$  | 100        | mA   |
| Reverse Voltage            | $V_R$     | 5          | V    |
| Power Dissipation          | $P_D$     | 108        | mW   |
| Operating Temperature      | $T_{opr}$ | -30 ~ +85  | °C   |
| Storage Temperature        | $T_{stg}$ | -40 ~ +100 | °C   |
| Lead Soldering Temperature | $T_{sol}$ | 260°C/5sec | -    |

\*Pulse width Max 10ms , Duty ratio max 1/10

### ■ Directivity



### ■ Electrical -Optical Characteristics

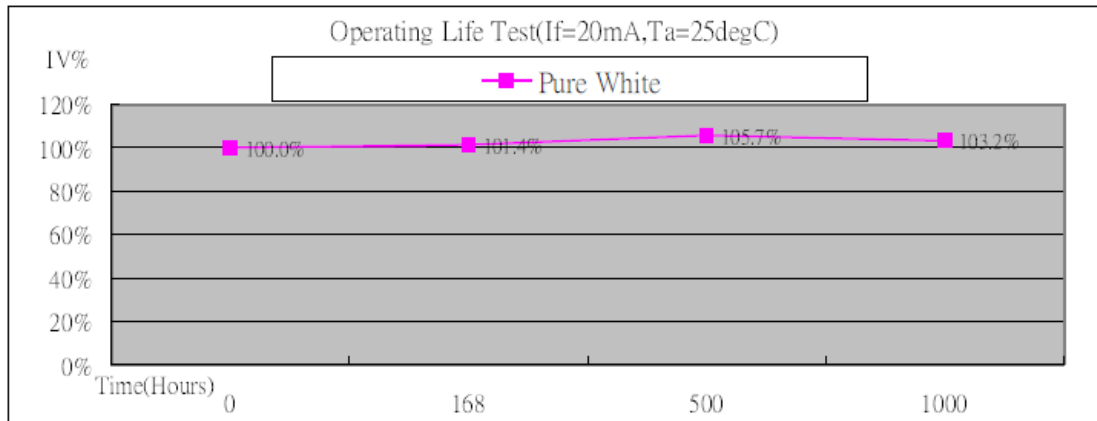
(Ta=25°C)

| Item                      | Symbol          | Condition  | Min. | Typ. | Max. | Unit    |
|---------------------------|-----------------|------------|------|------|------|---------|
| DC Forward Voltage        | $V_F$           | $I_F=20mA$ | 2.9  | 3.3  | 3.6  | V       |
| DC Reverse Current        | $I_R$           | $V_R=5V$   | -    | -    | 10   | $\mu A$ |
| Luminous Intensity*       | $I_v$           | $I_F=20mA$ | 1560 | 2180 | -    | med     |
| Color Temperature         | CCT             | $I_F=20mA$ | 6500 | 7000 | 7500 | K       |
| Chromaticity Coordinates* | x               | $I_F=20mA$ | -    | 0.30 | -    |         |
|                           | y               | $I_F=20mA$ | -    | 0.33 | -    |         |
| 50% Power Angle           | $2\theta_{1/2}$ | $I_F=20mA$ | -    | 70   | -    | deg     |
| ESD Sensitivity           | White           | HBM        | 2000 | -    | -    | V       |

\*1 Tolerance of chromaticity coordinates is  $\pm 10\%$

\*2 Tolerance of luminous intensity is  $\pm 15\%$

## OPERATION LIFE TEST LUMINANCE RATE CURVE



\*Burn-in condition: 20mA

\*Projection of Statistical Average Light Output Degradation Performance for LED Technology

\*MTBF: 100,000hrs, 90% Confidence (A Failure is Any LED Which is Open, shorted or fails to Emit Light)

\*The Projected Data is Base on The Feature of LED Itself Under Normal Operation Conditions.

\*Any Improper Circuit Design or External Factors Might Cause a Different Result.

